

Assembly Instructions

ITM./ART. 1049168 X-Pro Bluetooth® Sound Rocker

IMPORTANT: RETAIN FOR FUTURE REFERENCE

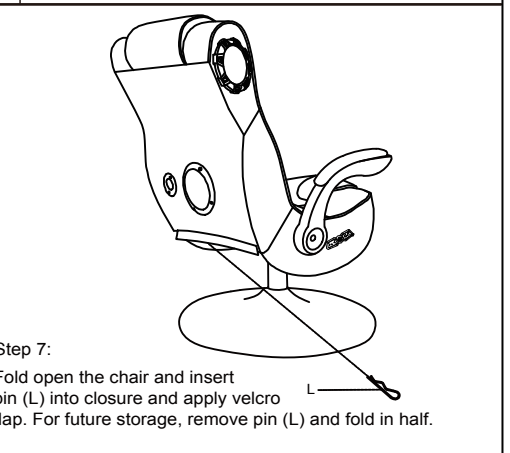
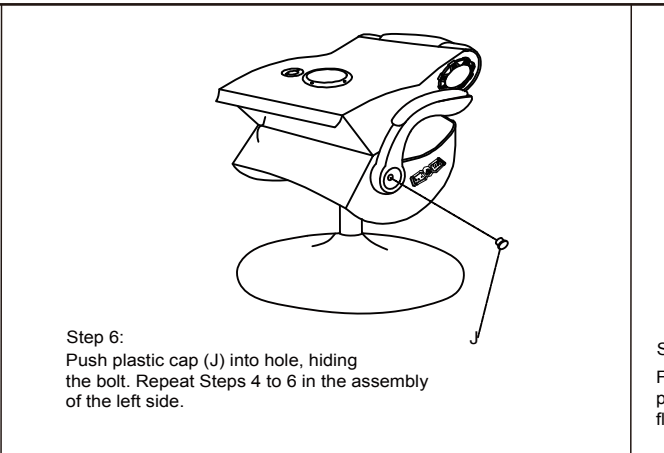
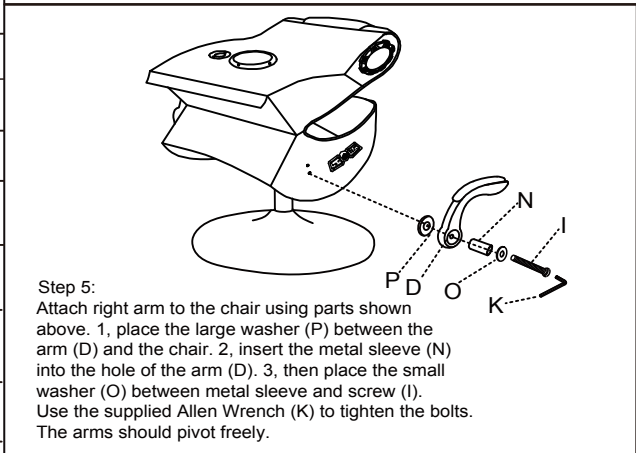
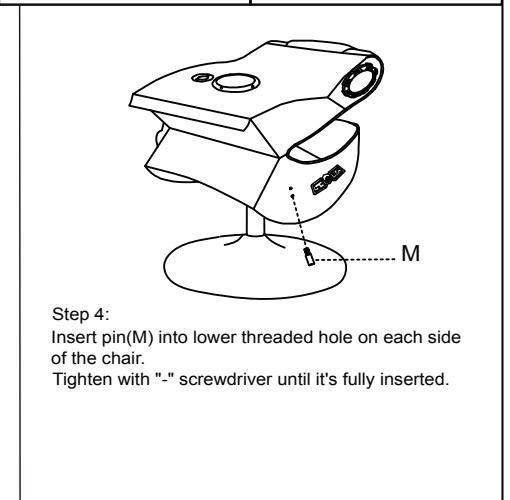
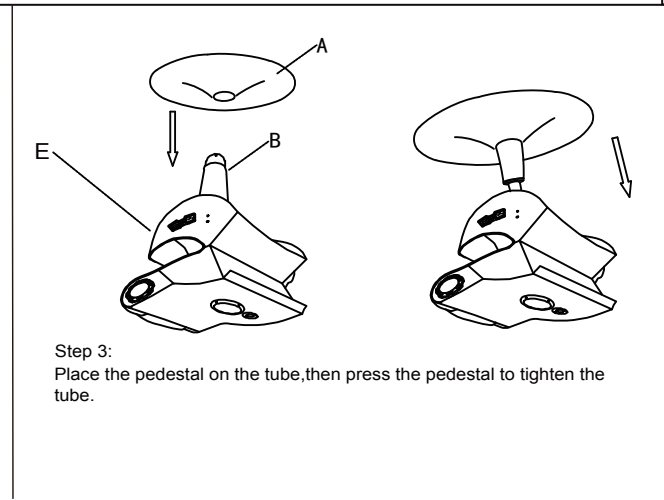
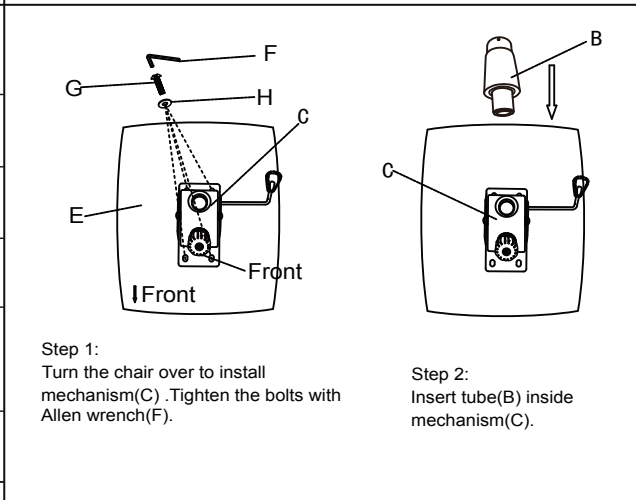


Warning! Chair arms are for support only.
To avoid damage or injury, do not sit or stand on the arms.
Do Not move, or lift chair from the arms.



WARNING
Crush Hazard
Keep hands and fingers away

A		1
B		1
C		1
D		2
E		1
F	M8	1
G	M8*25	4
H	Φ8*Φ18	4
I	M10*55	2
J		2
K	M10	1
L		1
M		2
N		2
O	Φ16*Φ10.5	2
P	Φ32*Φ13	2



Costco Wholesale Corporation P.O. Box 34535 Seattle, WA 98124-1535, USA

MADE IN CHINA/FABRIQUÉ EN CHINE/HECHO EN CHINA

Need Help? Email: service@acecasual.com Web: www.xrockernation.com Phone: 866-969-2603