

Assembly Instructions

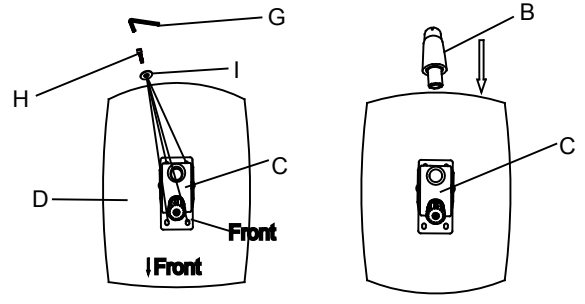


! Warning! Chair arms are for gaming support only.
To avoid damage or injury, do not sit on the arms. Do not use arms to EXIT from the chair or to MOVE or LIFT the chair.



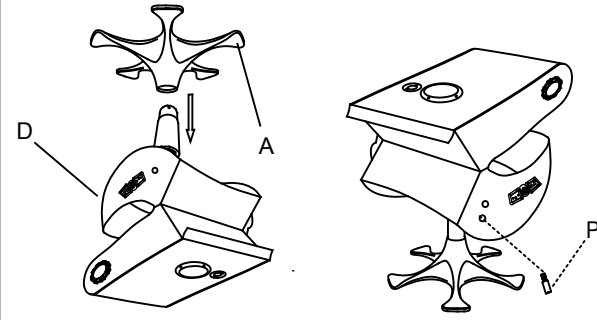
! WARNING
Crush Hazard
Keep hands and fingers away

| | | |
|---|--|---|
| A | | 1 |
| B | | 1 |
| C | | 1 |
| D | | 1 |
| E | | 6 |
| F | | 2 |
| G | | 1 |
| H | | 4 |
| I | | 4 |
| J | | 2 |
| K | | 1 |
| L | | 1 |
| M | | 2 |
| N | | 2 |
| O | | 2 |
| P | | 2 |
| Q | | 2 |



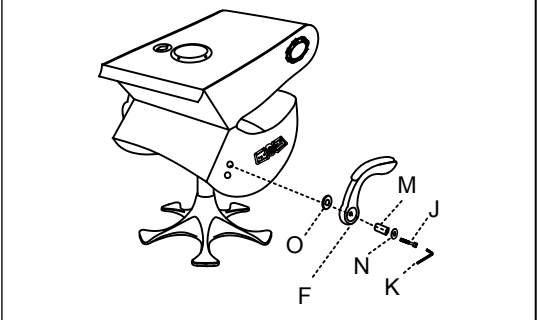
Step 1: Turn the chair over to install the mechanism(C). Tighten the bolts with Allen wrench (G).

Step 2: Insert the tube(B) to the mechanism(C).

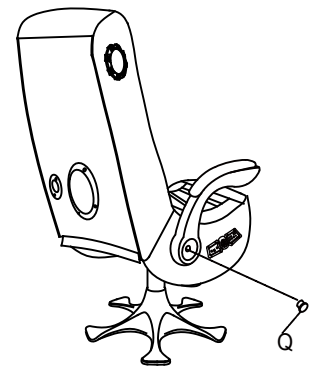


Step 3: Place the pedestal onto the tube, then press the pedestal to tighten up the tube.

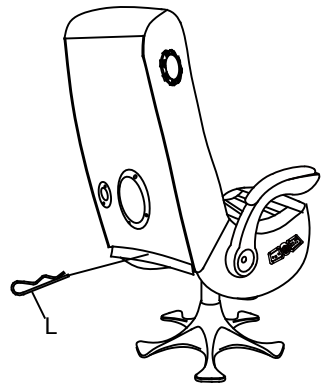
Step 4: Insert pin(P) into lower threaded hole on the each side of the chair. Tighten it by "-" screwdriver until it's fully inserted.



Step 5: Attach the right arm to the chair using the parts shown in the illustration, first place the large washer (O) between the arm(F) and the chair, and then insert the metal sleeve(M) into the hole of arm(F), the next step for placing the small washer(N) between the metal sleeve and the screw(J), use the supplied allen wrench(K) to tighten the bolts. The arms should be pivoted freely after assembling correctly.



Step 6: Push the plastic cap(Q) into the bolts hole to finish the arm assembly for that side. Repeat the above steps 4-6 for assembling the left arm of the chair.



Step 7: Insert pin(L) into closure. Attach the Velcro flap

