



# Assembly Instructions

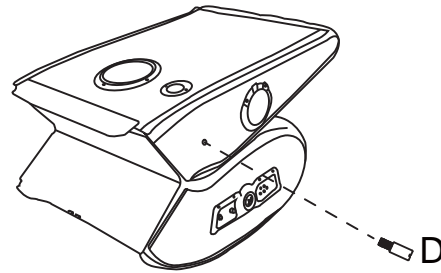
**Warning!** Chair arms are for gaming support only.

To avoid damage or injury, do not sit on the arms. Do not use arms to EXIT from the chair or to MOVE or LIFT the chair.

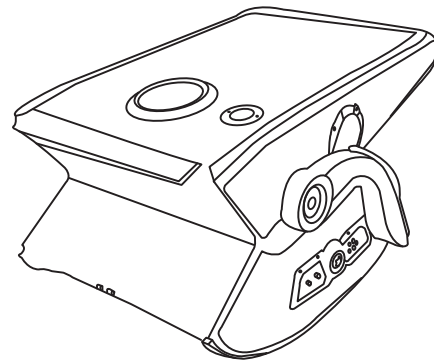


**WARNING**  
Crush Hazard  
Keep hands and fingers away

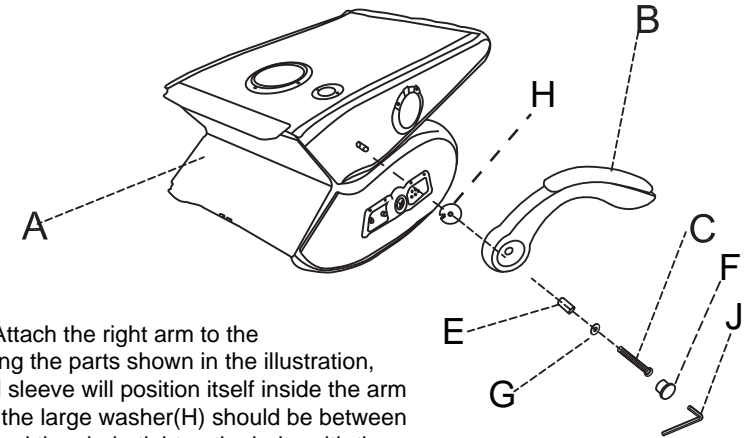
A		1
B		2
C	 M10 x 55	2
D		2
E		2
F		2
G	 Ø16 x Ø10.5	2
H		2
I		1
J	 8#	1



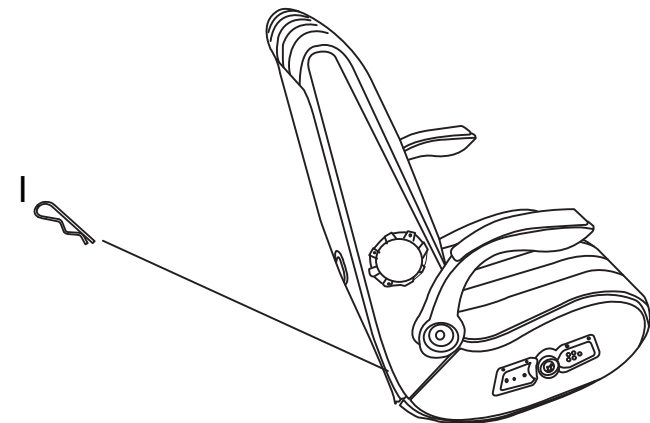
Step 1: Place the arm bracket(J) on the right side of the chair, please pay careful attention to the drawing to be sure you have the correct arm bracket for that side, use 2 bolts(C) with washer(E) to fasten the arm bracket to the side of the chair, tighten the bolts with the Allen wrench provided(F).



Step 3: Push the plastic caps(D) into the bolts holes to finish the arm assembly for that side, repeat steps 1 - 3 for the left side of the chair



Step 2: Attach the right arm to the chair, using the parts shown in the illustration, the metal sleeve will position itself inside the arm hole and the large washer(H) should be between the arm and the chair, tighten the bolts with the Allen wrench provided(F), when assembled correctly, the arm should pivot freely.



Step 4: Insert pin(G) into closure, attach the Velcro flap