



**Thank you for purchasing the X ROCKER! We know you will enjoy your X Rocker experience as much as we do.**

**Welcome to the world of interactive audio. With your new X Rocker you can now not only hear your music but actually FEEL it. Whether you are listening to music, watching a movie, or playing a game, you will become a part of it.**

**Get ready to experience sound as you never have!**

**Do not return this product to the store.**

**Email [service@acebayou.com](mailto:service@acebayou.com) or call**

**866-969-2603/931.359.2603 for trouble shooting advice.**

**IMPORTANT: You must keep your original retail receipt as proof of purchase.**

**HAVE THIS ITEM NUMBER READY WHEN CONTACTING CUSTOMER SERVICE: # 5171401**

**Need Help? Email: [service@acebayou.com](mailto:service@acebayou.com) Web: [www.thexrocker.com](http://www.thexrocker.com) Phone: 866.969.2603**

# XRocker

BY ACE BAYOU Corp. 

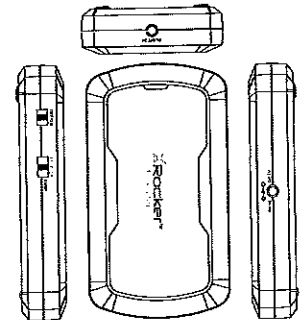
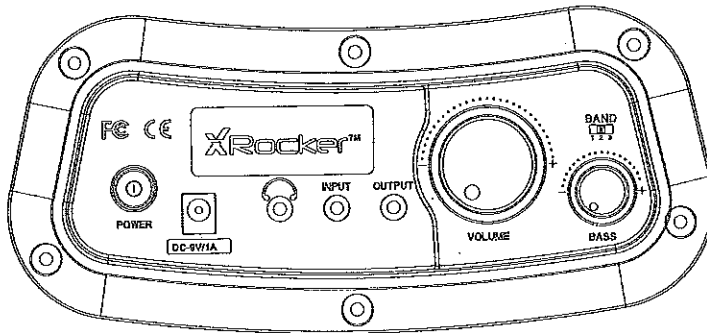
don't just sit there...start rocking!



## **FEATURES**

### **A-Control Panel**

- A1-Power Indicator Light
- A2-Audio Input Jack
- A3-Audio Output Jack for linking multiple chairs
- A4-Volume Adjustment
- A5-Wireless Band Switch
- A6-Power On/Off Switch
- A7-9V DC Power Input Jack
- A8-Headphone Jack
- A9-Bass Volume Adjustment
- A10-DC 3V/200mA Power Input Jack of TX
- A11-Audio Input Jack of TX
- A12-Power On/Off Switch of TX
- A13-Wireless Band Switch of TX



## B-Accessories Supplied

B1-3m RCA Stereo male to 3.5mm stereo male cable (1 PC)

B2-INPUT:100-240V AC 50/60Hz

OUTPUT:9V DC 1000mA 9W Main POWER Adapter. (EFFICIENCY LEVEL: IV 115V)

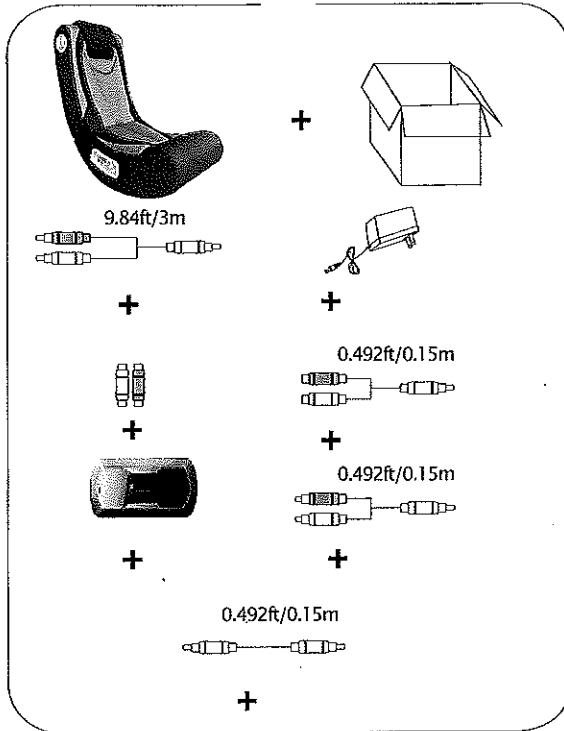
B3-RCA female to female barrel adapter (2 PCS)

B4-0.15m RCA stereo female to 3.5mm stereo male cable (1PC)

B5-TX Box

B6-0.15m RCA stereo male to 3.5mm stereo male cable (1PC)

B7-3.5mm stereo male to 3.5mm stereo male cable (1PC)



\*SOME PARTS MAY VARY SLIGHTLY

## C-Audio Specifications

### I .The unit specifications:

Signal-to-Noise Ratio (Amplifier): Subwoofer: >50dB  
Satellite: >60dB

Frequency Response: 60Hz~15kHz

Distortion: Subwoofer: 4% (F = 100Hz)

Satellite: 1% (F = 1kHz)

Input: 9V DC / 1A

### II .TX / RX specification:

1) TX Power supply: 3V DC/200mA

2 X AAA batteries (BATTERIES ARE NOT INCLUDED)

2) TX Current: 40mA

3) RX Current: 20mA

4) TX Transmission distance: <65.6ft / 20 meters

(No buildings or other barriers)

5) Environmental temperature: 14°F~158°F / -10°C~70°C

6) Modulation mode: FSK

7) TX Work frequency: 914, 914.5, 915MHz

8) RX Work frequency: 914, 914.5, 915MHz

9) TX Power: <10dBm

10) RX Sensitivity: -100dBm

11) RX frequency range: 50Hz~13KHz

12) Second harmonic suppression: -40dB

13) Band quantity: 3 channels

## **FUNCTIONS:**

- Foldable construction for ease of storage and portability.
- Side control panel with volume, bass control, input/output jacks, and band switch.
- Ergonomic design with full back support.
- Wireless audio transmission

## **READ BEFORE USAGE:**

- Always make sure velcro flap is locked before moving.
- Always make sure velcro flap is locked before sitting in the chair.
- Excessive use of audio equipment could lead to hearing loss.
- Excessive sound pressure from earphones and headphones can cause hearing loss.
- Children under the age of 13 should not use this product without adult supervision.
- Strictly for indoor use. Do not expose to direct sunlight, moisture or extreme temperatures.
- If the cover becomes wet, disconnect the power immediately and don't use until it is completely dry.
- Do not attempt to remove the cover or any components. Removal of the cover or tampering with components puts you at risk for injury or death from electrical shock.
- When using in wireless mode connect the audio cable to the RX. Do NOT connect the audio input directly to the X Rocker or the device will be DAMAGED.
- The maximum input of the TX box is 1V. If the input is over 1V, the sound can become distorted or fuzzy. If the Sound coming out of the chair is fuzzy at low volumes, lower the volume on the audio source (ex. The TV, Mp3, etc) and the distortion should go away.
- Do not mix alkaline, standard carbon-zinc, or rechargeable Ni-cad, NiMH, etc.
- Do not mix old and new batteries.



PICTURE OUT OF BOX



SITTING POSITION

## **SET UP:**

1. Lift the X Rocker out of the box
2. Keep the chair in the folded position and place it on the floor so that the back side of the chair is facing up and the bottom of the seat is touching the floor .
3. Review the set-up diagrams to familiarize yourself with the X Rocker's components, accessories, and set-up.
4. Pull and secure the velcro flap.
5. When used in wireless mode, make sure that the control panel is not more than 65.6ft / 20 meters from the audio source and 6.5ft / 2 meters from a power source.
6. Unpack the power adapter, plug it into a power outlet and connect it to the power jack (A7) on the control panel.
7. Press the power button (A6) and confirm that the power indicator light (A1) is on. In wireless mode, turn on the power to the TX box (A12), confirm that its indicator light is on, and check that the band selected on the TX box (A13) is the same as that selected on the control panel (A5) of the X Rocker.
8. Follow the diagrams to connect the X Rocker to the audio source of your choice in wired or wireless mode.
9. Adjust the bass and volume levels to your preference...start rocking.

# WIRE MODE CONNECTION GUIDE

DIAGRAM 1 XBOX™, XBOX 360™, PLAYSTATION 3™ & Wii

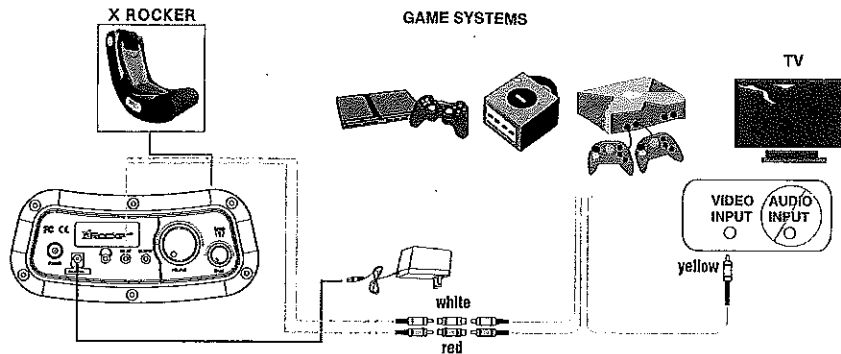


DIAGRAM 2 HOME THEATER & SATELLITE

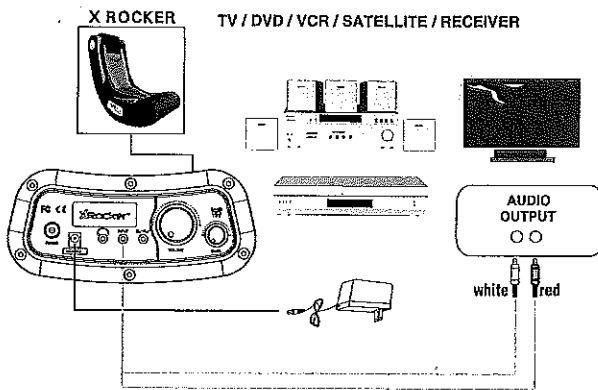


DIAGRAM 3 PORTABLE DEVICES

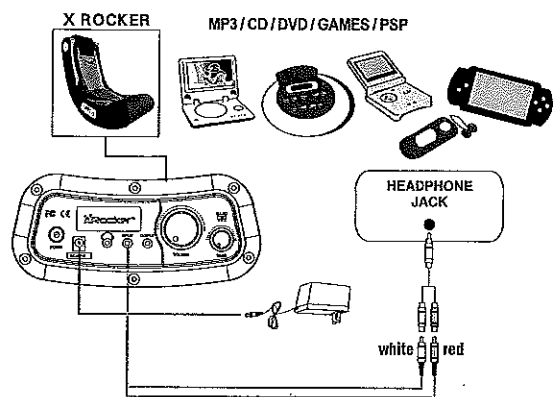
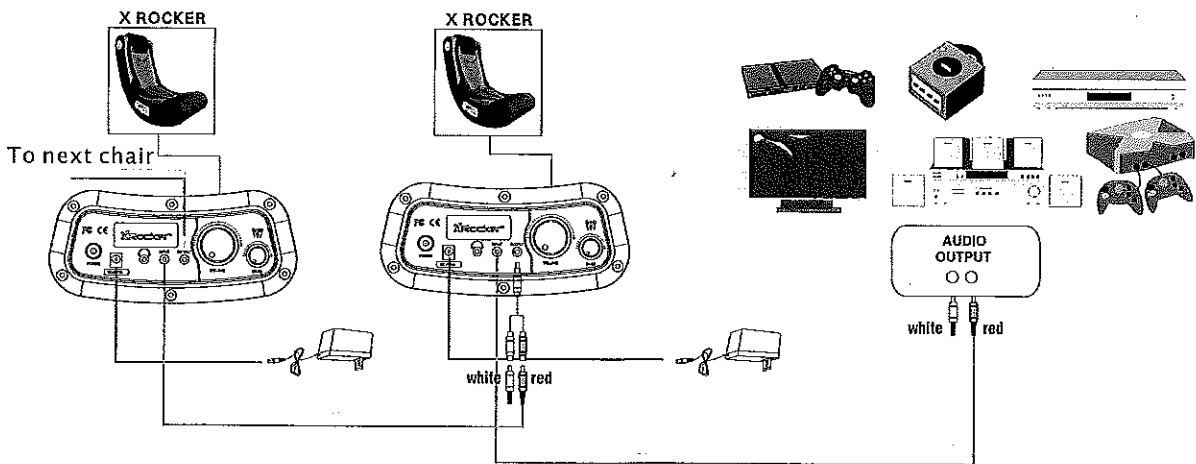


DIAGRAM 4 MULTI-USER CONNECTION



# WIRELESS MODE CONNECTION GUIDE

DIAGRAM 1 XBOX™, XBOX 360™, PLAYSTATION 3™ & Wii

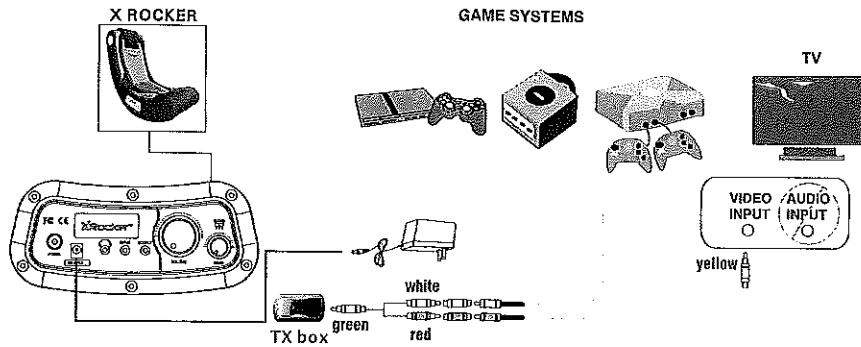


DIAGRAM 2 HOME THEATER & SATELLITE

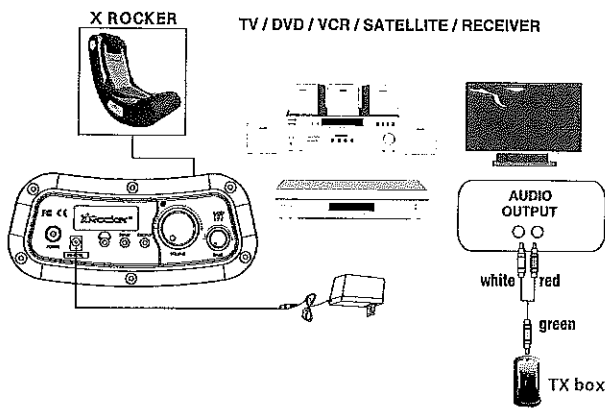


DIAGRAM 3 PORTABLE DEVICES

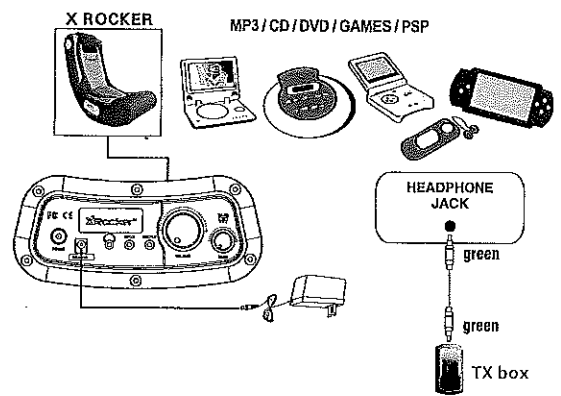
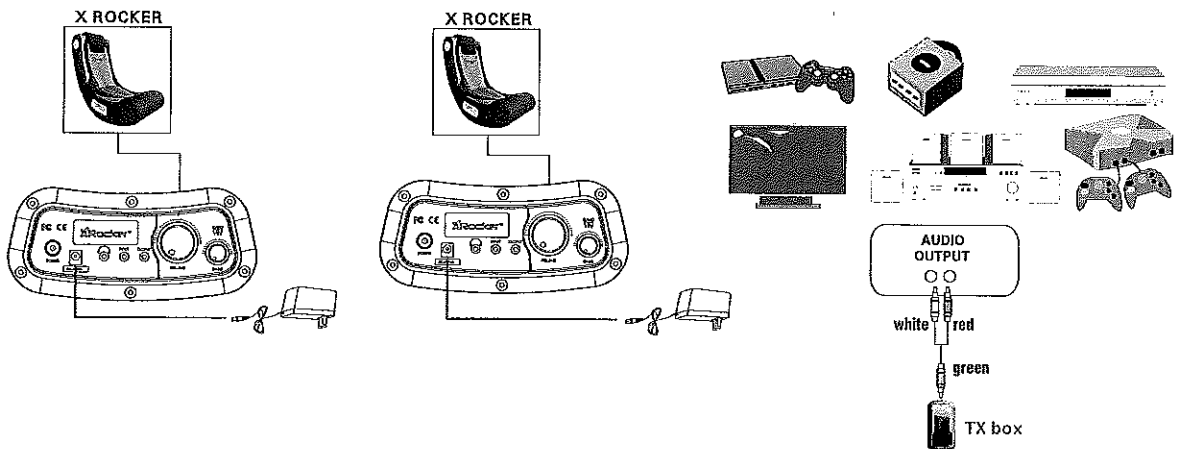


DIAGRAM 4 MULTI-USER CONNECTION



# TROUBLE SHOOTING

## - Unable to connect to game console -

Most gaming consoles are shipped from the manufacturer with an Audio/Video RCA cable. The A/V RCA cable has three RCA plugs: a video plug (yellow) and two audio plugs (red and white). If your gaming console came with an A/V RCA cable, please follow the instructions supplied by the manufacturer for setting it up and connecting it to the TV. Please note that you must leave the red and white audio jacks on the A/V cable UNCONNECTED. Once the console is properly connected to your TV, please follow the diagram in the illustrated X Rocker set-up guide to connect the gaming console to the X Rocker. If your gaming console was shipped with a coaxial cable, instead of an A/V RCA cable, you must follow an alternate set-up procedure (coaxial cable is the same type of cable that is used to connect a VCR to a TV). You will quickly recognize if your gaming console uses this type of cable. It connects the gaming console directly to the television and carries both the audio and video signal over a single cable. If your gaming console uses a coaxial cable, you CAN NOT connect it directly to the X Rocker. Instead, you must

Use an intermediary A/V device (such as a TV, VCR, DVD, TiVO, etc)

- a. Connect your gaming console to the intermediary A/V device via the coaxial cable.
- b. Connect the X Rocker to the 'Audio Out' jack on the intermediary A/V device.
- c. Follow diagram 2 in the X Rocker set-up guide to connect the X Rocker to the intermediary A/V device and finalize the setup.

If your gaming console is attached to an HD TV with an HDMI cable. You will need to connect the chair using either the audio out jacks on the back of the TV or by plugging into the headphone jack on the front of the TV.

## - Unable to hear any sound from the X ROCKER -

1. Check to ensure that the power adapter is properly connected to the power jack (A7). When properly connected, the indicator light (A1) on the control panel should light up when the power switch (A6) is turned on. If the indicator light (A1) does not light up, try to use another power outlet in your home. When the TX box is switched on (A12) for use in wireless mode, the power indicator light on its front panel should also light up. If the light is not on, please try changing the batteries in the TX.
2. Make sure the power unit is turned on and indicator light on the control panel is lit. If it is not, please press the power switch on the control panel. When you use wireless mode, the power indicator light on the front panel of the TX box turns green. If the light is not on, please turn on the power switch (A12) on the side. Check the BAND selector (A13) on the side of the TX box and make sure the number selected is the same as the number selected on the BAND selector (A5) of the control panel on the chair. For example, if the BAND selector on the TX box is on "1" make sure the BAND selector on the control panel is also on "1".
3. Once you have successfully completed 1. and 2. please review the X Rocker illustrated set-up guide. Double check all audio connections. Finally, check that the volume on the hand remote is turned to an audible level. to an audible level on both the TV and the chair.
4. If you have completed 1- 3 and still do not hear sound, try connecting another audio source (CD player, television, VCR or game console) and go through the steps again. Still not working? Help is as easy as 1,2,3:
  - 1).Go to [www.thexrocker.com](http://www.thexrocker.com) for FAQ answers.
  - 2).Email [service@acebayou.com](mailto:service@acebayou.com).
  - 3).Call our customer service department at 866.969.2603 or 931.359.2603. Office hours are 8:30am to 5:00pm central standard time.

# WARRANTY PAGE

## Limited Warranty:

Ace Bayou warrants this product (including any accessories) against defects in material and workmanship for a period of 90 days from the date of purchase. This warranty is enforceable only by the original purchaser.  
ALL DAMAGED OR MISSING PARTS MUST BE REPORTED WITHIN 14 DAYS OF PURCHASE.

This warranty covers all defects in material and workmanship in this product, but DOES NOT COVER the following:

1. Damage, deterioration or malfunction resulting from:
  - a. Acts of God, accident, misuse, abuse, negligence, improper installation, maintenance or operation, or failure to follow the instructions contained in this owner's manual.
  - b. Any damage in the shipment of the product. (Claims must be presented to the carrier.)
  - c. Repair, attempted repair, or modifications by anyone other than the Ace Bayou Service Center.
2. Any unit which has been modified or attempted to be modified or altered in any way whatsoever.
3. Normal wear and periodic maintenance.
4. Any unit used for industrial or commercial purposes (including rental).
5. Products sold AS IS or WITH ALL FAULTS, or consumables (such as fuses, batteries, etc)
6. Customer installation, set up adjustments, or signal reception problems.

Ace Bayou will repair or replace (at its discretion) units covered by this warranty without charge to the consumer for labor or materials. YOU ARE RESPONSIBLE FOR INITIAL SHIPPING CHARGES. However, we will pay the return shipping charges to any destination within the USA if repairs are covered by the warranty.

REPAIR OR REPLACEMENT AS PROVIDED UNDER THIS WARRANTY IS THE EXCLUSIVE REMEDY OF THE CONSUMER. ACE BAYOU SHALL NOT BE LIABLE FOR ANY INCIDENTAL OR CONSEQUENTIAL DAMAGES FOR BREACH OF ANY EXPRESSED OR IMPLIED WARRANTY ON THIS PRODUCT. EXCEPT TO THE EXTENT PROHIBITED BY APPLICABLE LAW, ANY IMPLIED WARRANTIES, INCLUDING WARRANTIES OF MERCHANTABILITY AND FITNESS FOR A PARTICULAR PURPOSE, ARE LIMITED IN DURATION TO THE LENGTH OF THIS WARRANTY.

Some states do not allow the exclusion or limitation of incidental or consequential damages, or allow limitations on how long an implied warranty lasts, so the above limitations may not apply to you.

## FCC NOTE:

THE MANUFACTURER IS NOT RESPONSIBLE FOR ANY RADIO OR TV INTERFERENCE CAUSED BY UNAUTHORIZED MODIFICATIONS TO THIS EQUIPMENT. SUCH MODIFICATIONS COULD VOID THE USER'S AUTHORITY TO OPERATE THE EQUIPMENT.

This device complies with Part 15 of the FCC Rules.

Operation is subject to the following two conditions:

1. This device may not cause harmful interference.
2. This device must accept any interference received, including interference that may cause undesired operation.

DO NOT SHIP ANYTHING TO US WITHOUT CONTACTING US FIRST. DO NOT SHIP ANY PARTS OR WHOLE UNITS TO THIS ADDRESS FOR REPAIR WITHOUT OUR PERMISSION.

For service assistance, product information, or to locate a dealer nearest you please call or write to:

Ace Bayou Corp  
PO Box 1853  
Lewisburg, TN 37091  
1-866-969-2603  
Service@acebayou.com

Need Help? Email: [service@acebayou.com](mailto:service@acebayou.com) Web: [www.thexrocker.com](http://www.thexrocker.com) Phone: 866.969.2603